

THIS METALLIZED AREA IS CONNECTED TO DIE ATTACH PAD

THIS METALLIZED SURFACE TO BE FLAT WITHIN .002 TIR.

.050R NOTCH

INDEX MARK (SEE TABLE)

PIN NO.1 2 7 8

.020R TYP.

TYP.

.032R

.005 MIN.

.050 ± .015 TYP.
.005 MIN.

TYP.

.054

.035 ± .010

TYP.

.032

TYP.

.018 ± .002

.100 ± .005

.060

.700 ± .005

TOL NON ACCUM.

LEAD ALLOY 42

.085 ± .009

.020 ± .002

.025 ± .003

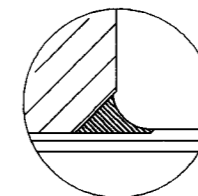
.040 ± .004

.010 ± .001

CERAMIC KYOCERA A440 (BLACK)

BRAZED Ag-Cu ALLOY

CHAMFER VENDOR'S OPTION



DETAIL-A

NOTES

1. PLATING THICKNESS TO BE PER CUSTOMER'S SPECIFICATION.
2. SEAL AREA TO BE METALLIZED.
3. DIE ATTACH AREA TO BE METALLIZED.
4. LEAD RESISTANCE : 0.20 OHM MAX.

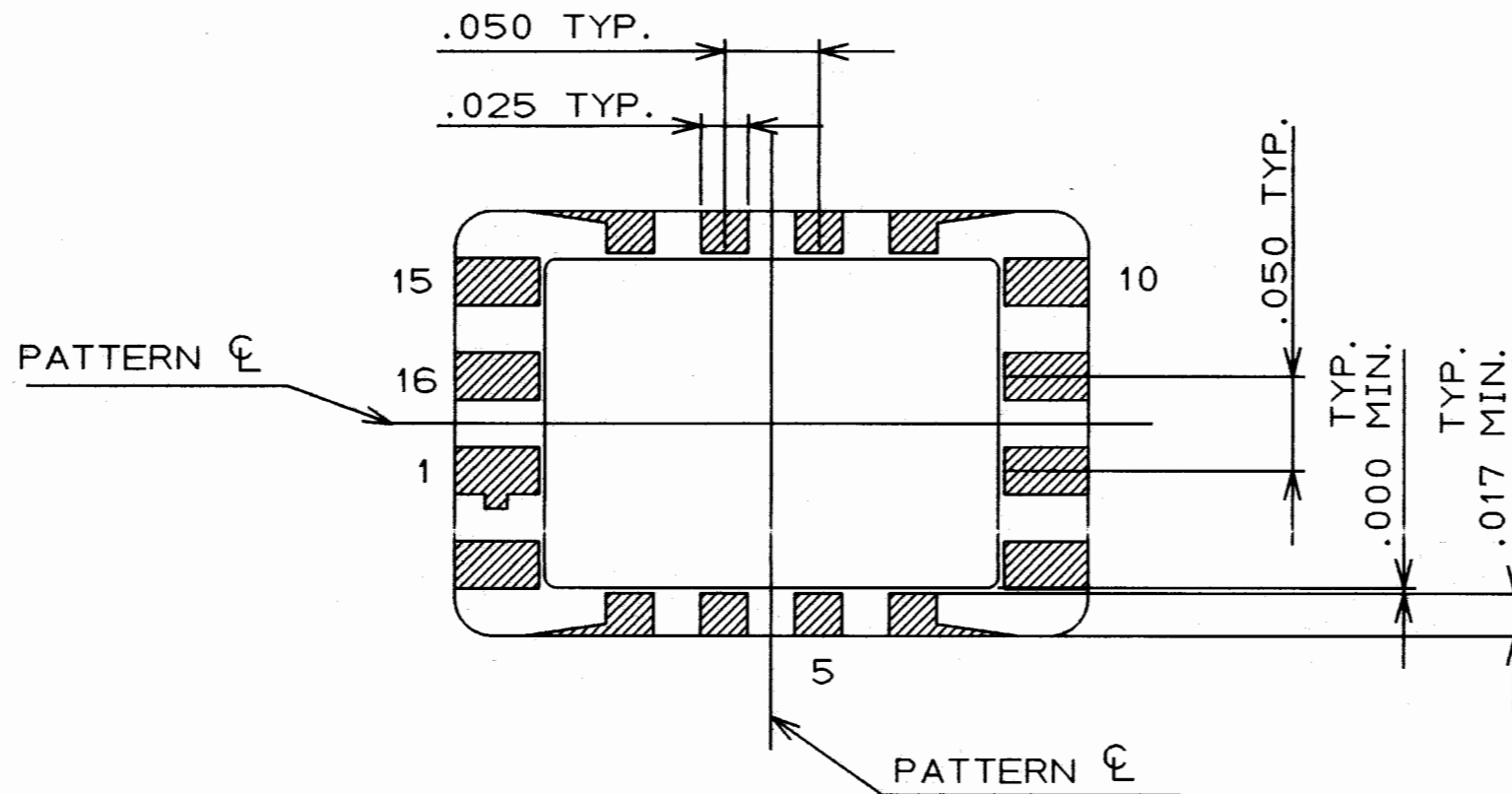
PART NO.	INDEX MARK	LEAD TIED DOWN
1		NIL
2		NO.5 ONLY
3		NO.8 ONLY
4		NO.1 ONLY



VENDOR'S OPTION

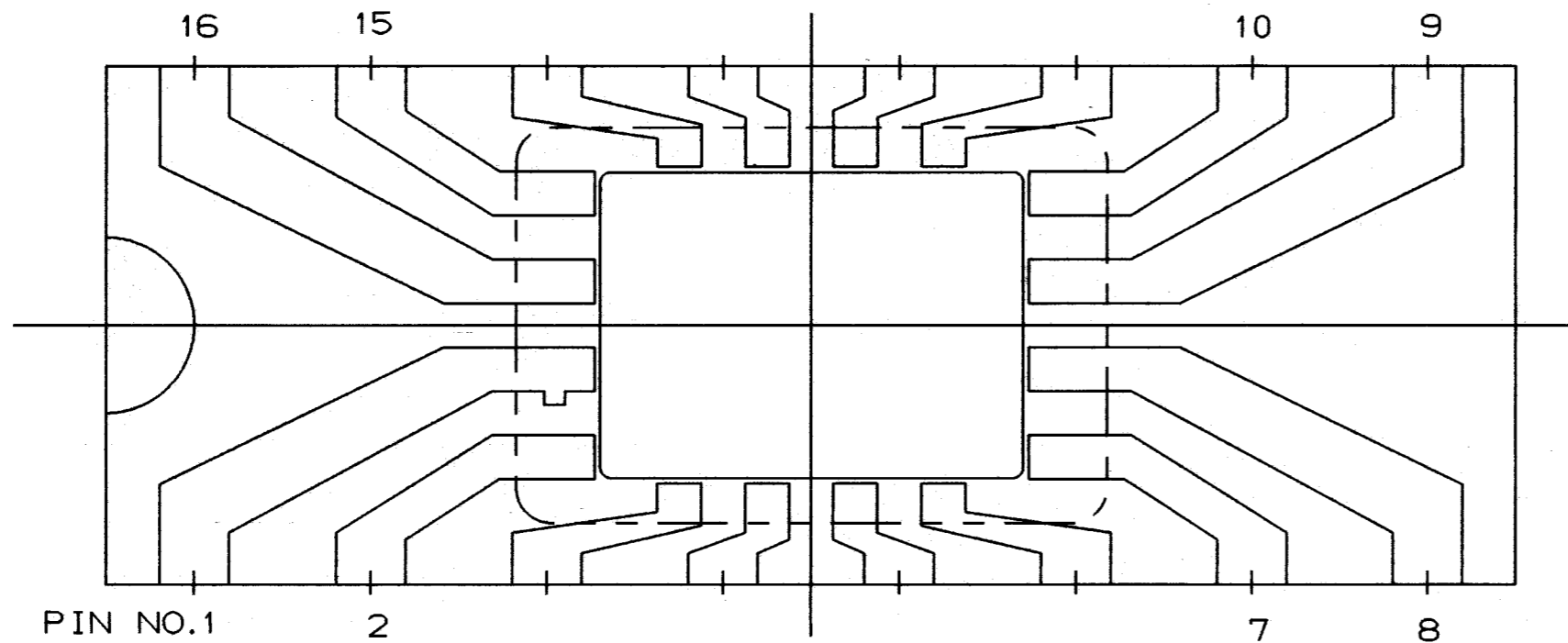
SB016H048-4	S=1 D=1		
SB016H048-3	S=8 D=8		
SB016H048-2	S=5 D=5		
SB016H048-1	S=0 D=0		
DRAWN	CHECKED	APPROVED	DATE
K.O	K.M		MAR.1.'77
DRAWING NO.		SHEET	
KD-77048-G		1/3	

MODIFICATION						NAME	TOLERANCE
						16 LEAD SIDE BRAZED PACKAGE	UNLESS OTHERWISE SPECIFIED
		ADDED : PART NO.	JUN.10.'04	H.K	TO.H/S.NI	H.SA	±.005
		REDRAWN (CONVERTED CAD DATA)	DEC.21.'93	N.T	H.S	S.F T.A	THIRD ANGLE PROJECTION
	CHANGED	DATE	DRAWN	CHECKED	APPROVED		KYOCERA CORPORATION KYOTO JAPAN



BONDING PATTERN

MODIFICATION						NAME 16 LEAD SIDE BRAZED PACKAGE	TOLERANCE UNLESS OTHERWISE SPECIFIED	DRAWN N.T	CHECKED H.S	APPROVED T.A	DATE DEC.21.'93
						SCALE 10 / 1	MATERIAL				
							THIRD ANGLE PROJECTION	N. Juto	H. Sugi S. Taka	T. Aoyu	
	CHANGED		DATE	DRAWN	CHECKED	APPROVED	KYOCERA CORPORATION KYOTO JAPAN	DRAWING NO. KD-77048-G	SHEET 2/3		



SECOND LAYER PATTERN

MODIFICATION							NAME 16 LEAD SIDE BRAZED PACKAGE	TOLERANCE UNLESS OTHERWISE SPECIFIED	DRAWN M.K	CHECKED K.M	APPROVED	DATE NOV.10.'82
							SCALE 10 / 1	MATERIAL				
								THIRD ANGLE PROJECTION	<i>N. Futo</i>	<i>H. Sugi</i>	<i>T. Aso</i>	
	△ REDRAWN (CONVERTED CAD DATA) CHANGED	DEC.21.'93	N.T	H.S S.F	T.A		KYOCERA CORPORATION KYOTO JAPAN		DRAWING NO. KD-77048-G			SHEET 3/3