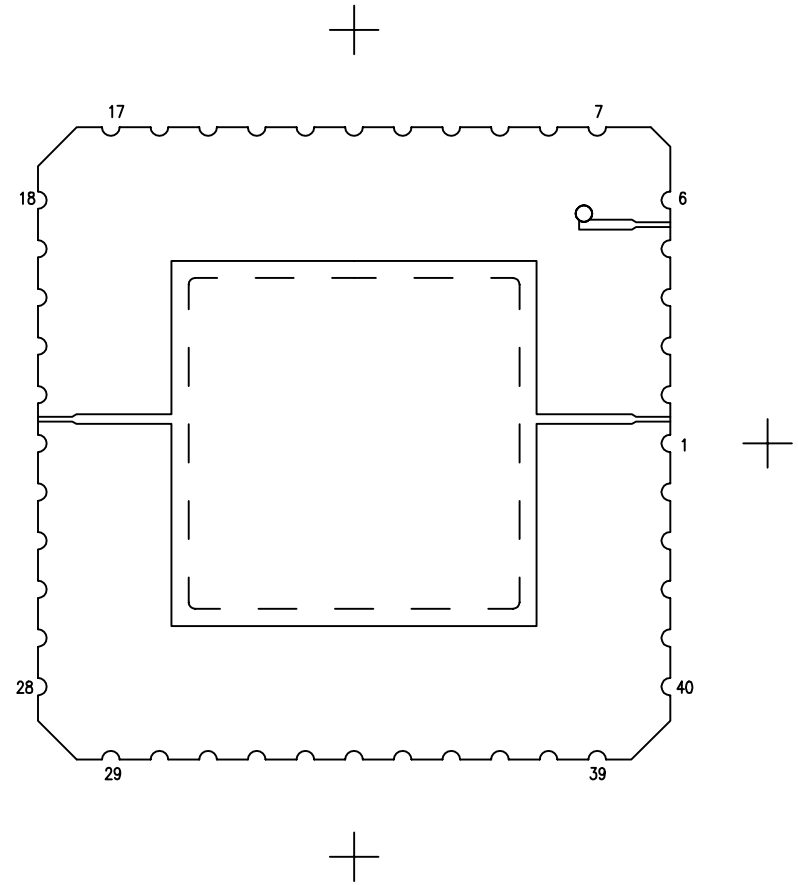


B/F PATTERN



D/A PATTERN

MODIFICATIONS					NAME	44 CQFJ (.340 SQ. CAV.)	TOLERANCES:	DRAWN	CHECKED	APPROVED	DATE	
					SCALE	10/1	UNLESS OTHERWISE SPECIFIED	S.M	U.E	K.H	M.S	DEC.22.'98
					MATERIAL							
							THIRD ANGLE PROJECTION					
	CHANGE	DATE	DRAWN	CHECKED	APPROVED		KYOCERA CORPORATION KYOTO JAPAN	DRAWING NO.		PB-F86315		SHEET 2/2