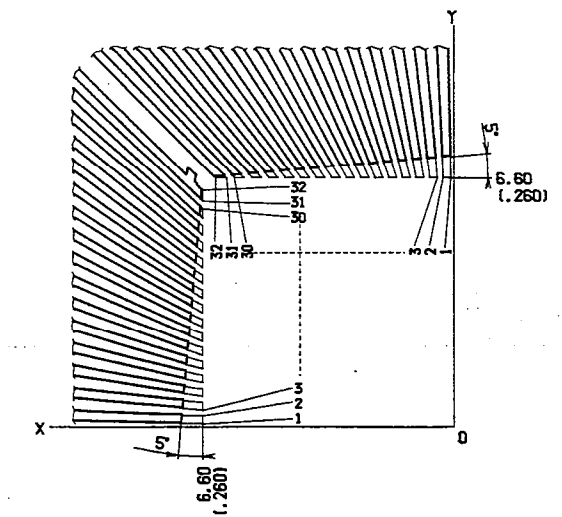


No	X or Y	No	X or Y
1	0.075 (.003)	17	2.996 (.118)
2	0.279 (.011)	18	3.220 (.127)
3	0.429 (.017)	19	3.388 (.133)
4	0.634 (.025)	20	3.618 (.142)
5	0.784 (.031)	21	3.789 (.149)
6	0.990 (.039)	22	4.025 (.158)
7	1.142 (.045)	23	4.202 (.165)
8	1.349 (.053)	24	4.445 (.175)
9	1.502 (.059)	25	4.627 (.182)
10	1.711 (.067)	26	4.877 (.192)
11	1.866 (.073)	27	5.064 (.199)
12	2.079 (.082)	28	5.323 (.210)
13	2.236 (.088)	29	5.517 (.217)
14	2.452 (.097)	30	5.784 (.228)
15	2.612 (.103)	31	5.985 (.236)
16	2.852 (.111)	32	6.263 (.247)



No. 1 PIN INDEX

MODIFICATIONS	DATE	DRAWN	CHECKED	APPROVED	NAME	TOLERANCES :	DRAWN	CHECKED
					128LD QUAD K-PACK Z' (13.050) ID	UNLESS OTHERWISE SPECIFIED	<i>W. Kato</i>	<i>W. Kato</i>
					SCALE	MATERIAL	APPROVED	DATE
					5/1		<i>W. Kato</i>	MAY. 31 '89
CHANGE					KYOCERA CORPORATION		KYOTO JAPAN	
					DWC No.		QC-128313-WZ	