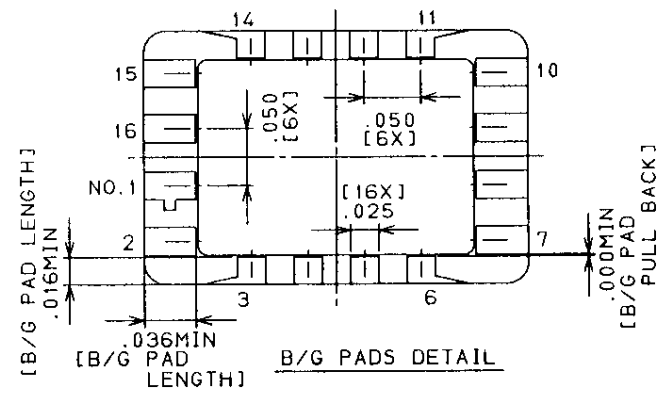
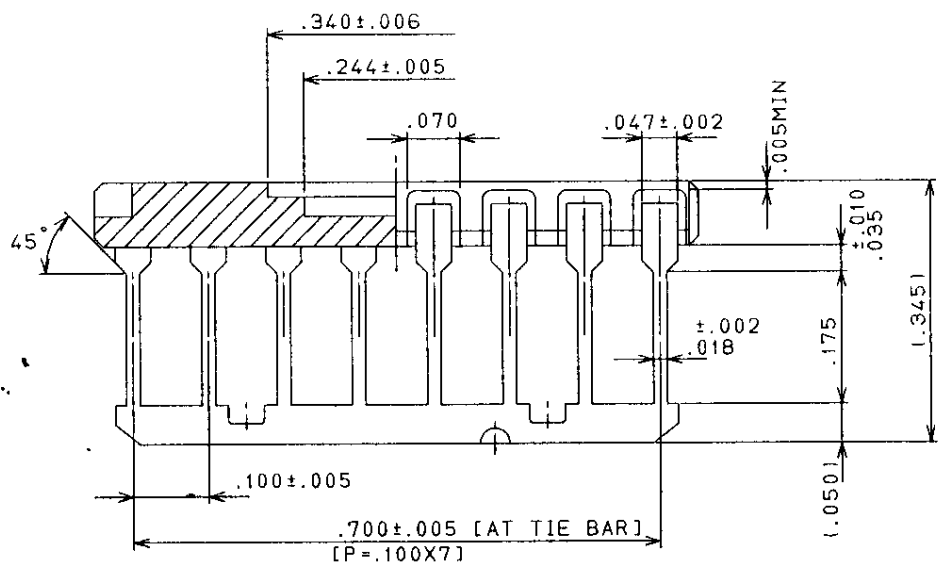
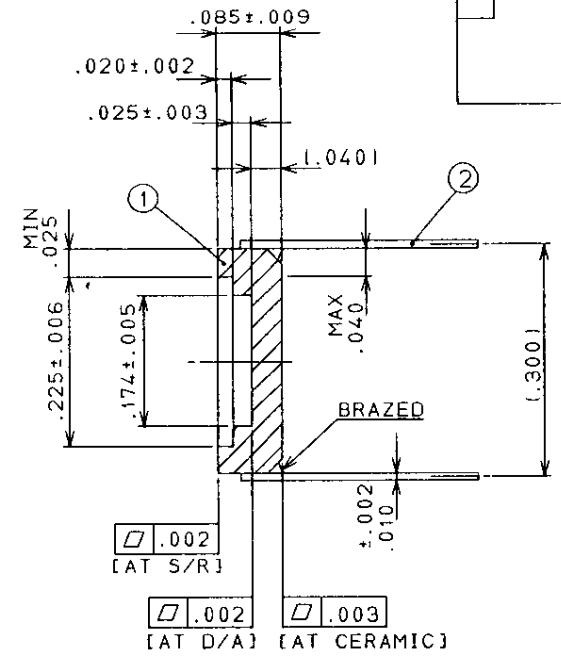
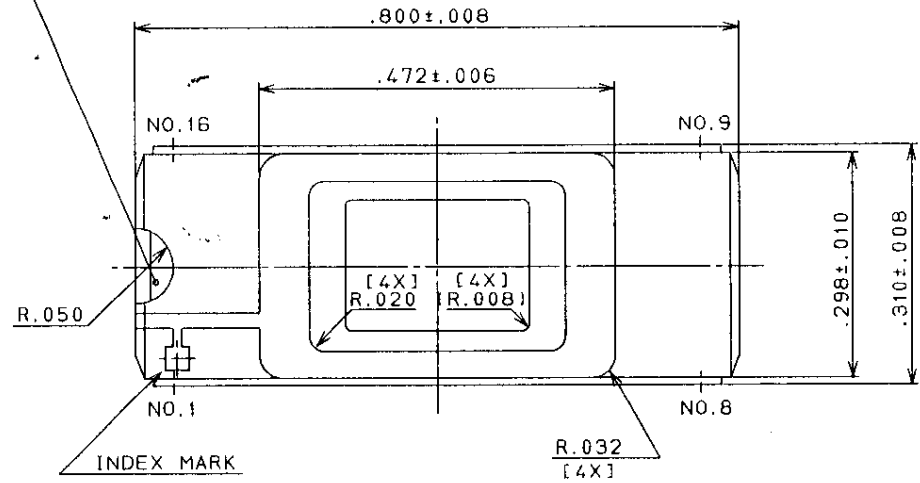


THIS METALLIZE TO BE ELECTRICALLY CONNECTED TO THE D/A PAD.



- NOTES: 1. GOLD PLATE 80μ INCHES MIN OVER 100μ INCHES MIN NICKEL.
 2. NO LEAD TO BE ELECTRICALLY CONNECTED TO THE DIE ATTACH PAD. SEAL RING ISOLATED.
 3. LEAD RESISTANCE: 300mΩ MAX.

REQUIRED TO MODIFY

MODIFIED DWG NO. IDK16F1-6319CAL

3					
2	LEAD	ALLOY42			
1	CERAMIC	BLACK ALUMINA			
Item	Name	Material	Description	Rev.	Description
UNLESS OTHERWISE SPECIFIED TOLERANCES: ± 1%			DRAWN	M. MIZUNO	NTK
N. L. T. 2 DECIMALS .XX ±0.25 3 DECIMALS .XXX ±0.13			CHECKED	I. NOMURA	NGK SPARK PLUG CO., LTD.
CUSTOMER			APPROVED	I. NOMURA	TITLE
DWG NO.			UNIT	MM	DWG NO.
			SCALE	/	IDK16F1-6319FAL